



EXPLANATORY NOTES

E3.6 Private driveways

In areas serviced by reticulated water, where the road speed limit is not greater than 70 km/h, and where the distance from the public road to the further part of the habitable building is no greater than 70 metres, emergency service vehicles typically operate from the street frontage.

In the event the habitable building cannot be reached by hose reel from the public road, then emergency service vehicles will need to gain access within the property. Emergency service vehicles will also need to gain access within the property, where access to reticulated water (fire hydrants) is not possible. In these situations, the driveway and battle-axe (if applicable) will need to be wide enough for access for an emergency service vehicle and a vehicle to evacuate.

Turnaround areas should be available for both conventional two-wheel drive vehicles of residents and Type 3.4 fire appliances. Turn-around areas should be located within 30 metres of habitable buildings. Circular and loop driveway design may also be considered. Note that the design requirements for a turn-around area for a private driveway or battle-axe differ to a cul-de-sac.

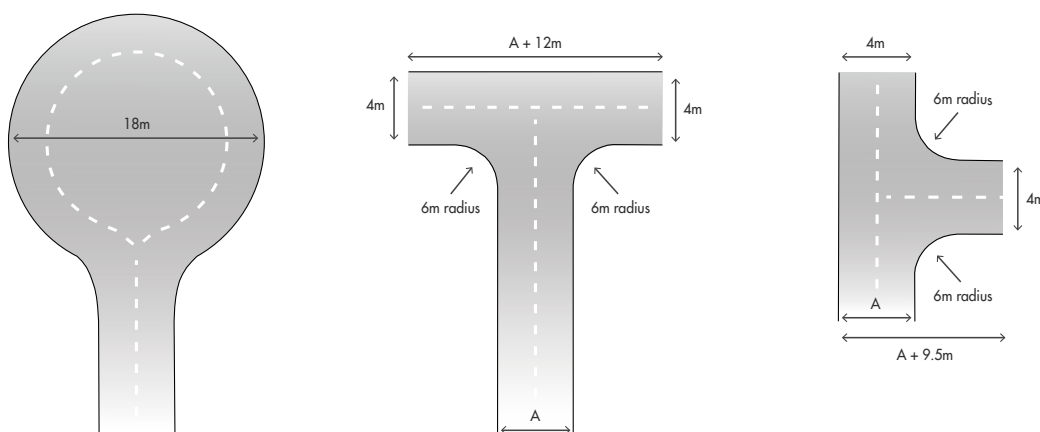


Figure 28: Design requirements for a turn-around area for a private driveway or battle-axe

Figure 29: Design requirements for a private driveway where required under A3.6

